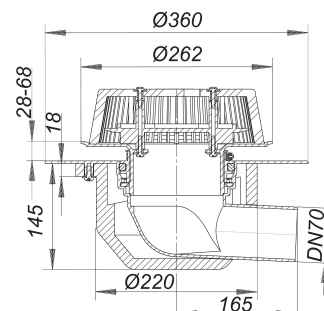


## overflow drain SuperDrain type 64 FPO, DN 70

Part number: 671622

GTIN: 4001636671622

Rebate group: 10



### Description:

overflow drain SuperDrain type 64 FPO, DN 70

conforming to DIN EN 1253

for use with a calculated siphonic roof drainage system, with extra wide flange for welding FPO-PP membranes directly or fixing PE vapour barriers

specification:

- SuperDrain-insert
- insulated drain body
- side outlet DN 70, 3 degrees fall
- overflow upstand height adjustable 28 - 68 mm
- domed grate, secured

material:

polypropylene, UV-stabilized

### Flow rates tested to DIN EN 1253:

Nominal diameter	Min. flow rate according to norm	Water level according to norm	Flow rate at water level 5 mm	Flow rate at water level 15 mm	Flow rate at water level 25 mm	Flow rate at water level 35 mm	Flow rate at water level 45 mm	Flow rate at water level 55 mm	Flow rate at water level 65 mm
DN 70	12.00 l/s	55.00 mm	0.80 l/s	3.80 l/s	7.30 l/s	12.20 l/s	18.40 l/s	18.50 l/s	18.50 l/s

### Spare parts: