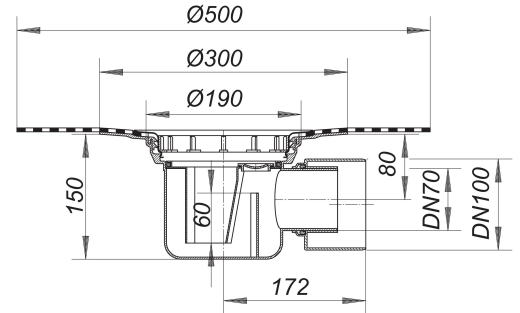


## Floor drain body type 57 DallBit, DN 70/DN 100

Part number: 572073  
 GTIN: 4001636572073  
 Rebate group: 3



### Description:

Floor drain body type 57 DallBit, DN 70/DN 100  
 conforming to DIN EN 1253

with d: 500 mm collar of 5.0 mm thick bituminous membrane, welded to the flange and secured with stainless steel clamp ring.  
 outlet DN 70/DN 100 horizontal

#### specification

- trap insert, 60 mm water seal (conforming to DIN EN 1253)
- rodding eye\*
- temporary blanking plate

#### material

polypropylene

The outlet connector can be supplied in ABS to suit British Standard sizes and PE-HD conforming to DIN EN 1519. Please enquire.

\* Access to trap and outlet via rodding eye.

DN 70 connects to BS4514 75 mm pipework with 880345 adaptor.

### Flow rates tested to DIN EN 1253:

Nominal diameter	Product standard	Min. flow rate according to norm	Water level according to norm
DN 70	DIN EN 1253	0.80 l/s	20.00 mm
DN 100	DIN EN 1253	1.40 l/s	20.00 mm

### Spare parts:

590015 screwed plug for 54, 55, 57, 57 AK, 58,

590084 support ring, white